



fuse holders

**CYLINDRICAL**



# CYLINDRICAL

## FUSE HOLDERS

- PAGE 04 | PMX MODULAR FUSE HOLDERS
- PAGE 07 | PMX COMPACT FUSE HOLDERS FOR CC CLASS FUSE-LINKS
- PAGE 07 | PMC COMPACT FUSE HOLDERS
- PAGE 07 | PMX-CC FUSE HOLDERS
- PAGE 08 | PMF MODULAR FUSE HOLDERS
- PAGE 08 | PMF MODULAR FIXING FUSE HOLDERS
- PAGE 09 | SC SCREEN FIXING FUSE HOLDERS
- PAGE 09 | BAC OPEN MOUNTING FUSE HOLDERS
- PAGE 10 | PMP PANEL CONNECTION FUSE HOLDERS
- PAGE 10 | PMB PLUG CONNECTION FOR Ø10 FUSE-LINKS
- PAGE 10 | CLIP CONTACT FOR Ø10 FUSE-LINKS

# CYLINDRICAL FUSE HOLDERS

## PMX MODULAR FUSE HOLDERS **NEW**

- Available in an extended range of different versions with fuse indicator, with microswitch, 690V, 24 V DC, Microswitch FUSING+PRE-BREAKING+FUSE LINK DETECTION.
- Accessory available to lock the fuse holder by a padlock.
- IP20 Security accessory in terminal zones. For wires of section  $\leq 10 \text{ mm}^2$ .
- All the versions with label holder for a good circuit identification.
- Compact design.
- Accessories for multiple poles assembly for fuse holders and microswitch.
- Ventilation zones optimized for a better heat dissipation.
- 2 position DIN Rail fixation.
- Made of a polymer high performance with a fusion temperature more than 300 °C. This provides a safety margin against a possible overheating of the fuse, and when it exceeds the rated power acceptance of the fuse holder.
- The PMX fuse holder can be fixed/unfixed on DIN rail with the same screwing tools that the installer uses for cable terminal fixing, regardless the screw driver head is in form of slot or PZ2.
- PMX Fuse holder is made of halogen free plastic, prepared for future restrictions on these substances.
- IEC (CB) tested.

[www.df-sa.es/cylindrical/fuseholders/PMX/](http://www.df-sa.es/cylindrical/fuseholders/PMX/)

	POLES	MODULES	REFERENCE		In (A)	U (V)	PACKING Uni./BOX
			WITHOUT INDICATOR	WITH INDICATOR			
8x32	I	1	485001	485008	25	400V AC/DC	12/180
	I + N	2	485003	485009	25	400V AC/DC	6/90
	2	2	485004	485010	25	400V AC/DC	6/90
	3	3	485005	485011	25	400V AC/DC	4/60
	3 + N	4	485006	485012	25	400V AC/DC	3/45
	4	4	485007	485013	25	400V AC/DC	3/45



485001

**PATENTED DESIGN**

10x38	I	1	485101	485108	32	690VAC - 750VDC	12/180
	N	1	485102	-	32	690VAC - 750VDC	12/180
	I + N	2	485103	485109	32	690VAC - 750VDC	6/90
	2	2	485104	485110	32	690VAC - 750VDC	6/90
	3	3	485105	485111	32	690VAC - 750VDC	4/60
	3 + N	4	485106	485112	32	690VAC - 750VDC	3/45
	4	4	485107	485113	32	690VAC - 750VDC	3/45



485108

**PATENTED DESIGN**

10x38 24VDC	1	1,5	-	485114	32	24DC	12
	2	3	-	485116	32	24DC	12

## PMX MODULAR FUSE HOLDERS **NEW** ACCESSORIES

	REFERENCE	DESCRIPTION	PACKING
8x32	480005	PIN FOR MULTIPOLE ASSEMBLY	12
	485050	HANDLE TIES FOR MULTIPOLE ASSEMBLY	12
10x38	485051	LOCK ACCESSORY	5
	485052	SPECIAL IP20 PROTECTION ACCESSORY	24
	485053	PHASE SEPARATOR ACCESSORY	12
	485054	REPLACEMENT FUSING NEON INDICATOR 120/690V AC	6
	485055	REPLACEMENT FUSING LED INDICATOR 24V DC	6
	485656	SCREWS PROTECTION ACCESSORY	20



485050



480005

STANDARDS IEC 60269-1 IEC 60269-2 EN 60269-1 EN 60269-2	STANDARDS CSA C22.2 4248-1 UL 4248-1	APPROVALS C UL US IEC RoHS compliant	TECHNICAL TECHNICAL DATA PAGE 11	TECHNICAL PMX FUSE HOLDERS MULTI-POLE ASSEMBLY PAGE 12	TECHNICAL DIMENSIONS PAGE 12	TECHNICAL PMX FUSE HOLDERS ASSEMBLY MICROSWITCH IDENTIFICATION BY LABEL LOCKING SYSTEM PAGE 14
---	--	--	--	---	------------------------------------	---

# CYLINDRICAL FUSE HOLDERS

## PMX MODULAR FUSE HOLDERS **NEW**

	POLES	MODULES	REFERENCE		I <sub>n</sub> (A)	U (V)	PACKING Uni./BOX		
			WITHOUT INDICATOR	WITH INDICATOR					
14x51	I	1,5	485201	C  US	485208	C  US	50	690	6/90
	N	1,5	485202	C  US	-	-	50	690	6/90
	I + N	3	485203	C  US	485209	C  US	50	690	3/45
	2	3	485204	C  US	485210	C  US	50	690	3/45
	3	4,5	485205	C  US	485211	C  US	50	690	2/30
	3 + N	6	485206	C  US	485212	C  US	50	690	1/18
	4	6	485207	C  US	485213	C  US	50	690	1/18
14x51 24VDC	1	1,5	-	-	485214	C  US	50	24	6/90
	1+N	3	-	-	485215	C  US	50	24	3/45
	2	3	-	-	485216	C  US	50	24	3/45



## PMX MODULAR FUSE HOLDERS WITH MICROSWITCH **NEW**

	POLES	MODULES	REFERENCE		I <sub>n</sub> (A)	U (V)	PACKING Uni./BOX		
			PREBREAKING FUSING - PRESENCE	ONLY FUSION					
14x51	I	1,5	485220	C  US	485226	C  US	50	690	6/90
	I + N	3	485221	C  US	485227	C  US	50	690	3/45
	2	3	485222	C  US	485228	C  US	50	690	3/45
	3	4,5	485223	C  US	485229	C  US	50	690	2/30
	3+N	6	485224	C  US	485230	C  US	50	690	1/18
	4	6	485225	C  US	485231	C  US	50	690	1/18



## PMX MODULAR FUSE HOLDERS ACCESSORIES **NEW**

14x51	REFERENCE	DESCRIPTION	PACKING
	480005	PIN FOR MULTIPOLE ASSEMBLY	12
	485356	HANDLE TIES FOR MULTIPOLE ASSEMBLY	12
	485357	HANDLE TIES FOR MICROSWITCH ASSEMBLY	12
	485258	LOCK SUPPORT	5
	485259	MICROSWITCH 1P *	5
	485260	MICROSWITCH 3P *	2
	485261	MICROSWITCH 3P (2M) *	2
	485262	MICROSWITCH UNIPOLAR EXTENSION	5
	485263	MICROSWITCH TRIPOLAR EXTENSION	2
	485264	REPLACEMENT FUSING INDICATOR NEON 120/690 VAC	3
	485265	REPLACEMENT FUSING INDICATOR LED 24 VDC	3
	485266	SPECIAL PROTECTION IP20 ACCESSORY PMX-14	12
		SPECIAL CONNECTION M6 ACCESSORY	12
	485656	SCREW PROTECTION ACCESSORY	12



\* TO CONVERT STANDARD BASE ON MICROSWITCH BASE ONLY FUSING AND AS MICROSWITCH PMX SPARE PREBREAKING-FUSING-PRESENCE

# CYLINDRICAL FUSE HOLDERS

## PMX MODULAR FUSE HOLDERS

	POLES	MODULES	REFERENCE		I <sub>n</sub> (A)	U (V)	PACKING Uni./BOX
			WITHOUT INDICATOR	WITH INDICATOR			
22x58	1	2	485301	485308	100*	690	6/48
	N	2	485302	-	100*	690	6/48
	1+N	4	485303	485309	100*	690	3/24
	2	4	485304	485310	100*	690	3/24
	3	6	485305	485311	100*	690	2/16
	3+N	8	485306	485312	100*	690	1/8
	4	8	485307	485313	100*	690	1/8
22x58 24VDC	1	2	-	485314	100*	24	6/48
	1+N	4	-	485315	100*	24	3/24
	2	4	-	485316	100*	24	3/24

\* ACCEPT 125A FUSE-LINKS



485308

## PMX MODULAR FUSE HOLDERS WITH MICROSWITCH

	POLES	MODULES	REFERENCE		I <sub>n</sub> (A)	U (V)	PACKING Uni./BOX
			PREBREAKING FUSING - PRESENCE	ONLY FUSION			
22x58	1	2	485320	485326	100*	690	6/48
	1+N	4	485321	485327	100*	690	3/24
	2	4	485322	485328	100*	690	3/24
	3	6	485323	485329	100*	690	2/16
	3+N	8	485324	485330	100*	690	1/8
	4	8	485325	485331	100*	690	1/8

\* ACCEPT 125A FUSE-LINKS

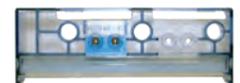


485323

## PMX MODULAR FUSE HOLDERS ACCESSORIES

22x58	REFERENCE	DESCRIPTION	PACKING
	480005	PIN FOR MULTIPOLE ASSEMBLY	12
	485356	HANDLE TIES FOR MULTIPOLE ASSEMBLY	12
	485357	HANDLE TIES FOR MICROSWITCH ASSEMBLY	12
	485358	LOCK SUPPORT	5
	485359	MICROSWITCH 1P *	5
	485360	MICROSWITCH 3P *	2
	485361	MICROSWITCH 3P (2M) *	2
	485362	MICROSWITCH UNIPOLAR EXTENSION	5
	485363	MICROSWITCH TRIPOLAR EXTENSION	2
	485364	REPLACEMENT FUSING INDICATOR NEON 120/690 VAC	3
	485365	REPLACEMENT FUSING INDICATOR LED 24 VDC	3
	485366	SPECIAL PROTECTION IP20 ACCESSORIE PMX-22	12
	485367	SPECIAL CONNECTION M8 ACCESSORY	12

\* TO CONVERT STANDARD BASE ON MICROSWITCH BASE ONLY FUSING AND AS MICROSWITCH PMX SPARE PREBREAKING- FUSING-PRESENCE



485360



485366

STANDARDS
IEC 60269-1 IEC 60269-2 EN 60269-1 EN 60269-2

STANDARDS
CSA C22.2 4248-1 UL 4248-1

APPROVALS
C  US 

TECHNICAL
TECHNICAL DATA PAGE 11

TECHNICAL
PMX FUSE HOLDERS MULTI-POLE ASSEMBLY PAGE 12

TECHNICAL
DIMENSIONS PAGE 13

TECHNICAL
PMX FUSE HOLDERS ASSEMBLY MICROSWITCH IDENTIFICATION BY LABEL LOCKING SYSTEM PAGE 14

# CYLINDRICAL FUSE HOLDERS

## PMC COMPACT FUSE HOLDERS

NEW

Compact fuse holders for industrial cylindrical fuse links. Very low dimensions. For mounting on DIN/EN rail. Single phase models or single phase + neutral in only one module. Multi-pole units can be made with connection accessories. PMC fuse holders are made with self-extinguishable materials and have silver plated copper contacts.

[www.df-sa.es/cylindrical/fuseholders/PMC/](http://www.df-sa.es/cylindrical/fuseholders/PMC/)

	POLES	MODULES 17,5 mm	REFERENCE	I <sub>n</sub> (A)	U (V)	PACKING Uni./BOX
8x32	I	1	483500	25	400	12/336
	N	1	483502	32	400	12/336
	I + N	1	483504	25	400	12/336
	I + N	2	483506	25	400	6/168
	2	2	483508	25	400	6/168
	3	3	483510	25	400	4/112
	3 + N	3	483512	25	400	4/112
	3 + N	4	483514	25	400	3/84
	4	4	483516	25	400	3/84
10x38	I	1	483530	32	500	12/336
	N	1	483502	32	500	12/336
	I + N	1	483534	32	500	12/336
	I + N	2	483536	32	500	6/168
	2	2	483538	32	500	6/168
	3	3	483540	32	500	4/112
	3 + N	3	483542	32	500	4/112
	3 + N	4	483544	32	500	3/84
		4	483546	32	500	3/84



483530

## PMC COMPACT FUSE HOLDERS ACCESSORIES

	SIZE	REFERENCE	DESCRIPTION	PACKING
8x32 10x38	8x32 / 10x38	480005	PINS FOR MULTIPOLE ASSEMBLY	12/300
	8x32 / 10x38	483550	PMC HANDLE TIES FOR MULTIPOLE ASSEMBLY	12/300
	8x32 / 10x38	483552	PMC MULTIPOLE ASSEMBLY KIT	12/300

## PMX CC MODULAR FUSE HOLDERS

NEW

Modular fuse holders for cylindrical CC class fuse links. For mounting on DIN/EN rail. Single phase and multi-pole types. Available with fusing indicator. Multi-pole units can be made with connection accessories. PMCC fuse holders are made with self-extinguishable materials and have silver plated copper contacts. UL approval.

[www.df-sa.es/cylindrical/fuseholders/PMCC/](http://www.df-sa.es/cylindrical/fuseholders/PMCC/)

POLES	REFERENCE		I <sub>n</sub> (A)	U (V)	PACKING Uni./BOX
	WITHOUT INDICATOR	WITH INDICATOR			
I	485181	485188	30	600	12/192
II	485184	485190	30	600	6/96
III	485185	485191	30	600	4/64



485181

STANDARDS	STANDARDS	APPROVALS
IEC 60269-1 IEC 60269-2 EN 60269-1 EN 60269-2	CSA C22.2 4248-1 UL 4248-1 UL 4248-4	 

TECHNICAL	TECHNICAL	TECHNICAL
TECHNICAL DATA	PMC & PMCC FUSE HOLDERS MULTI-POLE ASSEMBLY	DIMENSIONS
PAGE 11	PAGE 12	PAGE 17

# CYLINDRICAL FUSE HOLDERS

## PMF MODULAR FUSE HOLDERS WITH INTEGRATED NEUTRAL

Modular fuse holders for industrial cylindrical fuse links. For mounting on DIN/EN rail. Single phase models, single-phase+neutral in only one module and multi-pole types. Available with fusing indicator or with microswitch for use with fuse links with striker (only fusing detection or fusing+pre-breaking+fuse link detection). Multi-pole units can be made of connection accessories. PMF fuse holders are made of self-extinguishable materials and have silver plated copper contacts.

[www.df-sa.es/cylindrical/fuseholders/PMF/](http://www.df-sa.es/cylindrical/fuseholders/PMF/)



480032



480135 I

	POLES	MODULES 17,5 mm	REFERENCE		I <sub>n</sub> (A)	U (V)	PACKING Uni/BOX
			WITHOUT INDICATOR	WITH INDICATOR			
8x32	I + N	1	480125	480125 I	25	400	12/192
	3 + N	3	480325	480325 I	25	400	4/64
10x38	I	1	480032	-	32	690	12/192
	N	1	480032 N	-	32	690	12/192
	I + N	1	480135	480335 I	32	400	12/192
	I + N	2	480132	-	32	690	6/96
	2	2	480232	-	32	690	6/96
	3	3	480332	-	32	690	4/64
	3 + N	3	480335	-	32	400	4/64
	3 + N	4	480432	-	32	690	3/48
	4	4	480532	-	32	690	3/48

## PMF MODULAR FUSE HOLDERS ACCESSORIES

	REFERENCE	DESCRIPTION	PACKING
8x32 10x38	480005	PINS FOR MULTIPOLE ASSEMBLY	12
	480006	HANDLE TIES FOR MULTIPOLE ASSEMBLY	12



480005



480006

## PMF PMX PMC PMCC CONNECTION ACCESSORIES PHASE BUSBARS



POLES	MODULES	REFERENCE	SECTION (mm <sup>2</sup> )	PACKING
I	13	485600	10	10
I	57	485601	10	10
II	12	485602	10	6



485600

## PMF PMX PMC PMCC CONNECTION ACCESSORIES ACCESSORIES FOR PHASE BUSBARS



REFERENCE	DESCRIPTION	PACKING
485603	INSULATED TERMINAL 6...25 mm <sup>2</sup> (FEEDING ACROSS)	10
485604	INSULATED TERMINAL 6...50 mm <sup>2</sup> (FEEDING ACROSS)	50
485605	END COVER FOR 1 PHASE BUSBAR	50



485603



485605

STANDARDS IEC 60269-1 IEC 60269-2 EN 60269-1 EN 60269-2	APPROVALS RoHS compliant REACH SVHC	TECHNICAL TECHNICAL DATA PAGE 11	TECHNICAL PMF FUSE HOLDERS MULTI-POLE ASSEMBLY PAGE 12	TECHNICAL DIMENSIONS PAGE 17	TECHNICAL PHASE BUSBARS & ACCESSORIES DIMENSIONS PAGE 21
---	---	--	---	------------------------------------	--

# CYLINDRICAL FUSE HOLDERS

## SC SCREW FIXING FUSE HOLDERS

Fuse holders for industrial cylindrical fuse links. Screw fixing. Available single-pole and neutrals. SC fuse holders are made with self-extinguishable materials and have silver plated copper contacts.  
[www.df-sa.es/cylindrical/fuseholders/SC/](http://www.df-sa.es/cylindrical/fuseholders/SC/)

	POLES	MODULES 17,5 mm	REFERENCE	I <sub>n</sub> (A)	U (V)	PACKING Uni./BOX
<b>8x32</b>	I	1	<b>451025</b>	25	400	12
	N	1	<b>451025 N</b>	25	400	12
<b>10x38</b>	I	1	<b>451032</b>	32	500	12
	N	1	<b>451032 N</b>	32	500	12
<b>14x51</b>	I	1	<b>451050</b>	50	690	12
	N	1	<b>451050 N</b>	50	690	12
<b>22x58</b>	I	1	<b>451100</b>	100	690	6
	N	1	<b>451100 N</b>	100	690	6



451032

## BAC OPEN FUSE BASES

Open bases for cylindrical fuses. The bases BAC for cylindrical fuses are particularly suitable for semiconductor fuses with high power dissipation and therefore needed to be mounted on open bases to facilitate the heat dissipation. Fixation on panel by screw. Made of thermosetting self-extinguishing material.  
[www.df-sa.es/cylindrical/fuseholders/BAC/](http://www.df-sa.es/cylindrical/fuseholders/BAC/)

	REFERENCE	I <sub>n</sub> (A)	U (V)	PACKING Uni./BOX
<b>10x38</b>	<b>451210</b>	32	690	20/300
<b>14x51</b>	<b>451220</b>	50	690	10/240
<b>22x58</b>	<b>451230</b>	100	690	10/120



451230

STANDARDS	APPROVALS
IEC 60269-1 IEC 60269-2 EN 60269-1 EN 60269-2	RoHS compliant

TECHNICAL TECHNICAL DATA	TECHNICAL DIMENSIONS
PAGE 11	PAGE 18

# CYLINDRICAL FUSE HOLDERS

## PMP PANEL MOUNTING FUSE HOLDERS **NEW**

[www.df-sa.es/cylindrical/fuseholders/PMP/](http://www.df-sa.es/cylindrical/fuseholders/PMP/)

10x38

REFERENCE	DESCRIPTION	I <sub>n</sub> (A)	U (V)	PACKING Uni./BOX
486001	BAYONET FIXING	30	600	10/100
486002	SCREW FIXING	30	600	10/100



## PMB PLUG CONNECTION FUSE HOLDERS **NEW**

[www.df-sa.es/cylindrical/fuseholders/PMB/](http://www.df-sa.es/cylindrical/fuseholders/PMB/)

10x38

REFERENCE	I <sub>n</sub> (A)	U (V)	PACKING Uni./BOX
490030	32	500	20/100



## CLIP CONTACT FOR Ø10 FUSE-LINKS **NEW**

Clip contact for Ø10 cylindrical fuse links. Screw fixation and PCB versions. Manufactured in tinned bronze. All the materials are according to the European Directive 2002/95/EC RoHS (Restriction of the use of certain hazardous substances in electrical material).

10x38  
10x85

REFERENCE	DESCRIPTION	I <sub>n</sub> (A)	P <sub>d</sub> max (W)	PACKING Uni./BOX
482001	Ø10 CLIP CONTACT SCREW FIXATION	25	4	50/200
482002	Ø10 CLIP CONTACT FOR PCB	25	4	50/200



STANDARDS	APPROVALS
IEC 60269-1 IEC 60269-2 EN 60269-1 EN 60269-2	RoHS compliant

TECHNICAL	TECHNICAL	TECHNICAL
TECHNICAL DATA	PMP FUSE HOLDERS DIMENSIONS	PHASE BUSBARS & ACCESSORIES DIMENSIONS
PAGE 11	PAGE 19	PAGE 21

## CYLINDRICAL MODULAR FUSE HOLDERS

	PMF 8x32	PMF 10x38	PMF 8x32	PMX 10x38	PMX 14x51	PMX 22x58	PMX CC	PMC 8x32	PMC 10x38	BAC 10x38	BAC 14x51	BAC 22x58	PMP 10x38
RATED CURRENT	25 A	32 A	25 A	32 A	50 A	100 A	30 A	25 A	32 A	32 A	50 A	100 A	30 A
RATED VOLTAGE	400 V	690 V	400 V	990 V AC 750 V DC	690 V	690 V	600 V	400 V	690 V	690 V	690 V	690 V	600 V
RATED POWER DISSIPATION	2.5 W	3 W	2.5 W	3 W	5 W	9.5 W	3 W	3 W	3 W	8 W	12 W	20 W	
UTILIZATION CATEGORY	AC-2ZB 400V AC-21B 690V	AC-2ZB 500V AC-21B 690V	AC-2ZB 400V	AC-2ZB 500 V AC-21B 690 V DC-20B 750V DC	AC-2ZB 500V AC-21B 690V	AC-21B 690 V	—	AC-20	AC-20				
PROTECTION DEGREE	IP-20	IP-20	IP-20	IP-20	IP-20	IP-20	IP-20	IP-20	IP-20	IP-00	IP-00	IP-00	
OPERATING TEMPERATURE	-20 ... 70 °C	-20 ... 70 °C	-20 ... 70 °C	-20 ... 70 °C	-20 ... 70 °C	-20 ... 70 °C	-20 ... 70 °C	-20 ... 70 °C	-20 ... 70 °C	-20 ... 60 °C	-20 ... 60 °C	-20 ... 60 °C	-20 ... 70 °C
STORAGE TEMPERATURE	-40 ... 80 °C	-40 ... 80 °C	-40 ... 80 °C	-40 ... 80 °C	-40 ... 80 °C	-40 ... 80 °C	-40 ... 80 °C	-40 ... 80 °C	-40 ... 80 °C	-40 ... 80 °C	-40 ... 80 °C	-40 ... 80 °C	-40 ... 80 °C
DERATING TEMPERATURE	20 °C	0.95	0.95	0.95	0.95	0.95	0.95	0.95	0.95	0.95	0.95	0.95	0.95
	0.9	0.9	0.9	0.9	0.9	0.9	0.9	0.9	0.9	0.9	0.9	0.9	0.9
	0.8	0.8	0.8	0.8	0.8	0.8	0.8	0.8	0.8	0.8	0.8	0.8	0.8
DERATING N° OF POLES	1...4	1	1	1	1	1	1	1	1	1	1	1	1
	0.8	0.8	0.8	0.8	0.8	0.8	0.8	0.8	0.8	0.8	0.8	0.8	0.8
	0.7	0.7	0.7	0.7	0.7	0.7	0.7	0.7	0.7	0.7	0.7	0.7	0.7
	≥ 10	0.6	0.6	0.6	0.6	0.6	0.6	0.6	0.6	0.6	0.6	0.6	0.6
FIXING	RAIL DIN / EN	*	*	*	*	*	*	*	*	*	*	*	*
	SCREW	—	—	—	—	—	—	—	—	—	—	—	—
CONNECTING WIRE	0.75 ... 16 mm <sup>2</sup> STRANDED 0.75 ... 25 mm <sup>2</sup> SOLID	0.75 ... 16 mm <sup>2</sup> STRANDED 0.75 ... 16 mm <sup>2</sup> SOLID	0.75 ... 16 mm <sup>2</sup> STRANDED 0.75 ... 16 mm <sup>2</sup> SOLID	0.75 ... 16 mm <sup>2</sup> STRANDED 0.75 ... 16 mm <sup>2</sup> SOLID	1.5...25 mm <sup>2</sup> STRANDED 1.5...35 mm <sup>2</sup> SOLID	1.5...35 mm <sup>2</sup> STRANDED 1.5...50 mm <sup>2</sup> SOLID	0.75...16 mm <sup>2</sup> STRANDED 0.75...16 mm <sup>2</sup> SOLID	0.75...6 mm <sup>2</sup> STRANDED 0.75...10 mm <sup>2</sup> SOLID	0.75...6 mm <sup>2</sup> STRANDED 0.75...10 mm <sup>2</sup> SOLID	∅ 4 mm TERMINAL	2.5...35 mm <sup>2</sup> STRANDED 4...35 mm <sup>2</sup> SOLID	4...70 mm <sup>2</sup> STRANDED 6...95 mm <sup>2</sup> SOLID	
WITH LIGHTNING INDICATOR	120...400V AC 2.5 Nm (1P+N 1M)	120...690V AC 12...24V DC	120...400V AC 2.5 Nm	120...690V AC 12...24V DC	230...690V AC 24...60 VDC	230...690V AC 24...60 VDC	170...690V AC 12...24V DC	—	—	—	—	—	—
MAX. TIGHTENING TORQUE	2.5 Nm (1P+N 1M)	2.5 Nm (1P+N 1M)	2.5 Nm	2.5 Nm	3 Nm	4 Nm	2.5 Nm	2 Nm	2 Nm	2.5 Nm	2.5 Nm	3.5 Nm	
WITH MICROSWITCH 5A-250V	—	—	—	—	*	*	*	*	*	*	*	*	*
MULTIPOLAR UNION WITH ACCESSORIES	*	*	*	*	*	*	*	*	*	*	*	*	*
LABEL HOLDER	—	—	—	—	*	*	*	*	*	*	*	*	*
LOCKING ACCESSORIES	—	—	—	—	*	*	*	*	*	*	*	*	*



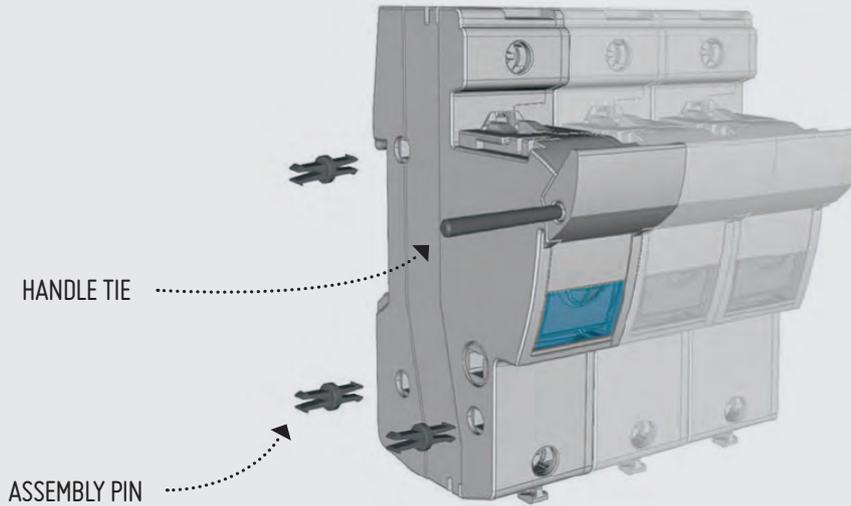
# CYLINDRICAL FUSE HOLDERS

TECHNICAL  
**PMF** MODULAR FUSE HOLDERS  
 MULTI-POLE ASSEMBLY

**PMX**

**PMC**

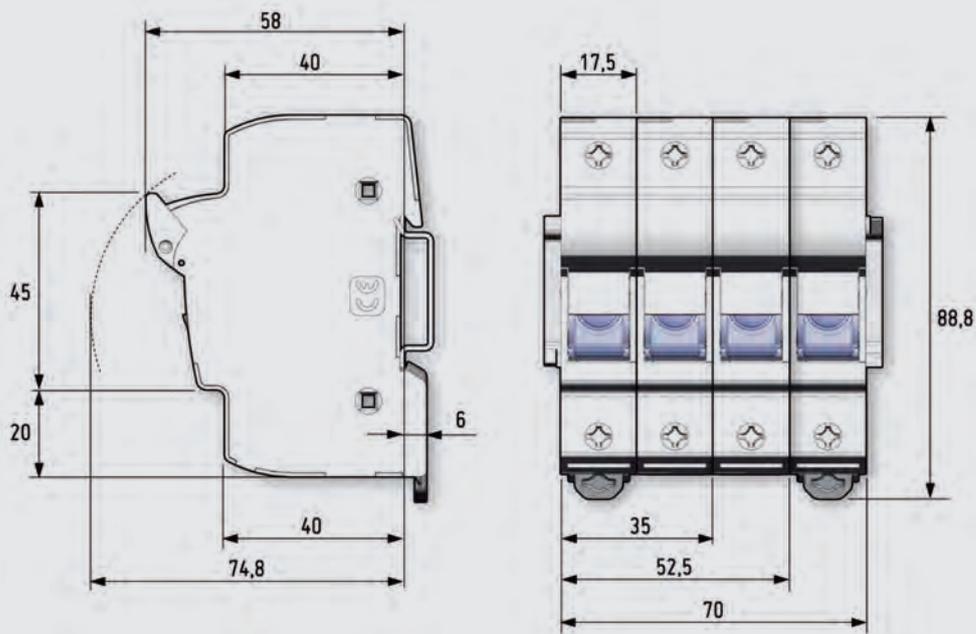
**NEW**



TECHNICAL  
**PMX** MODULAR FUSE HOLDERS  
 DIMENSIONS

**8x32**  
**10x38**  
**CC<sup>CLASS</sup>**

**NEW**

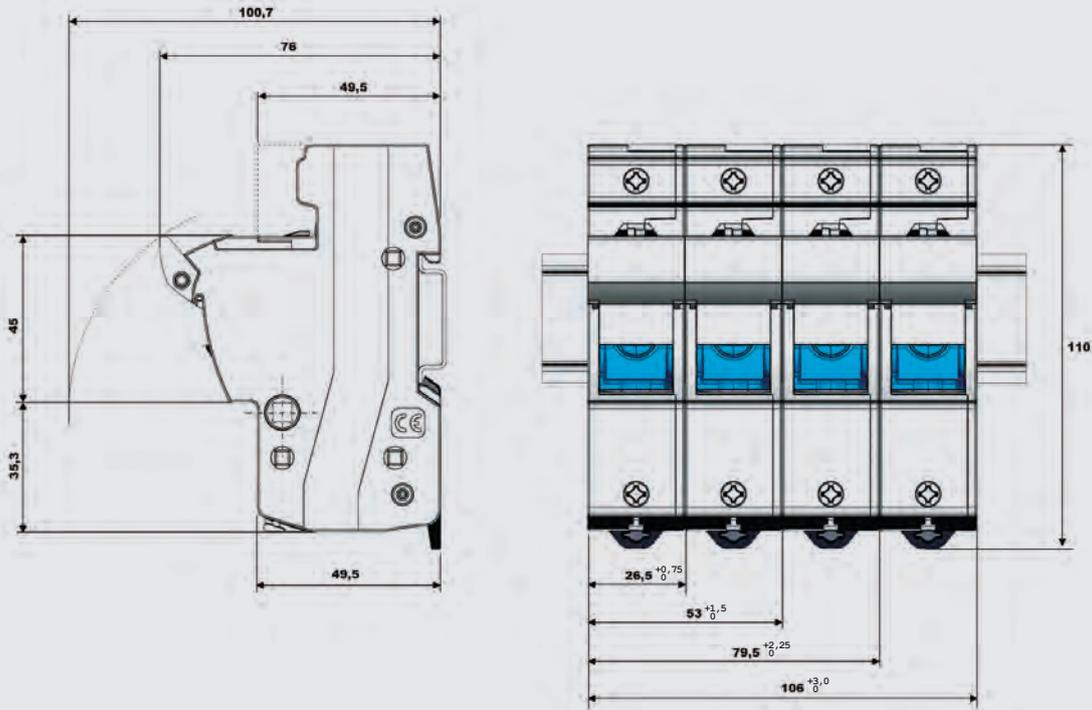


# CYLINDRICAL FUSE HOLDERS

TECHNICAL  
**PMX** MODULAR FUSE HOLDERS  
 DIMENSIONS

14x51

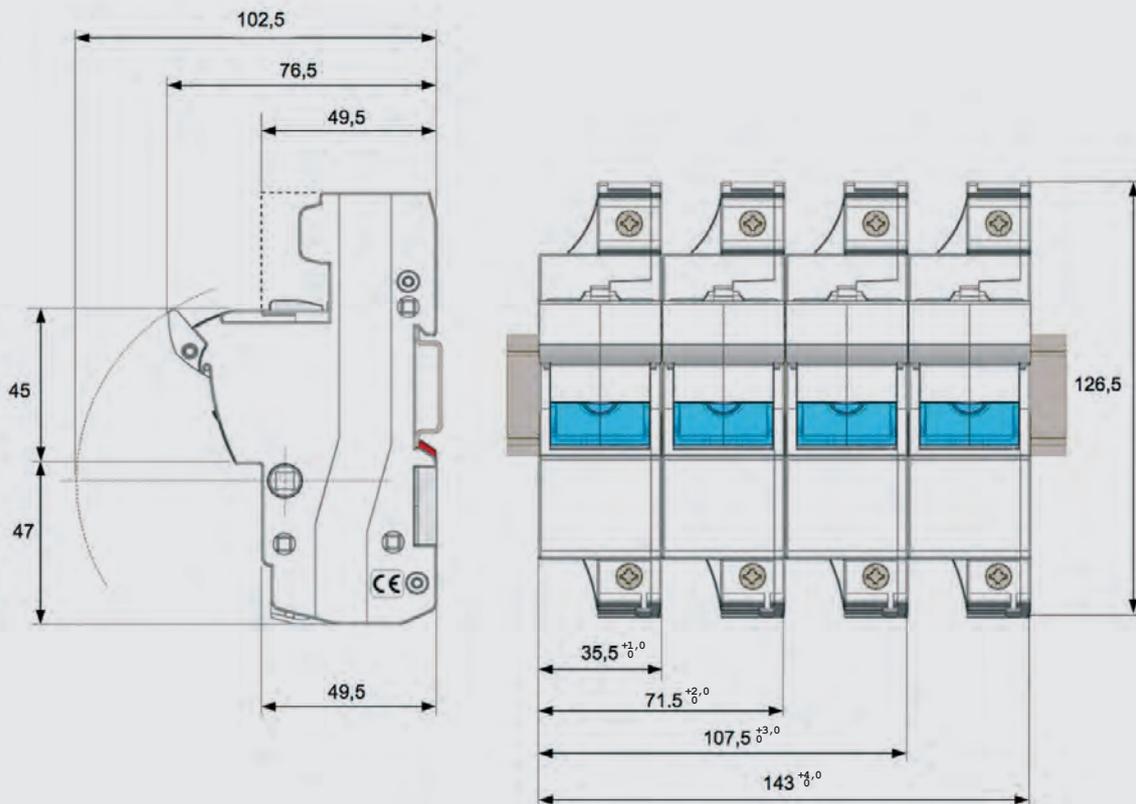
NEW



TECHNICAL  
**PMX** MODULAR FUSE HOLDERS  
 DIMENSIONS

22x58

NEW



# CYLINDRICAL FUSE HOLDERS

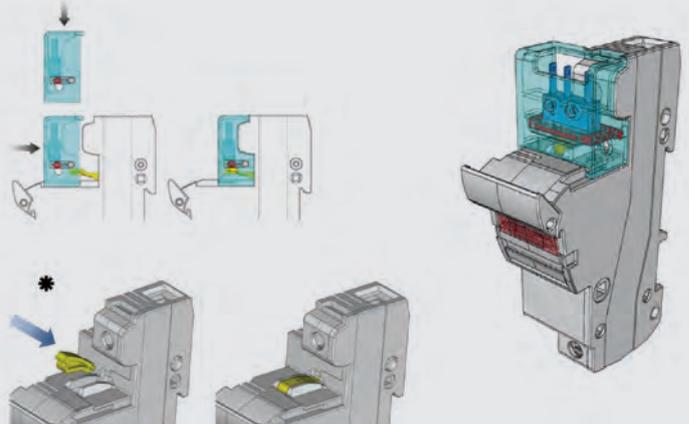
TECHNICAL

## PMX MODULAR FUSE HOLDERS MICROSWITCH MOUNTING

14x51  
22x58

Put on the **microswitch** on the guides, and push in horizontal movement to the final position.

\* For **ONLY FUSION** accessory, first mount the lifter in his place.



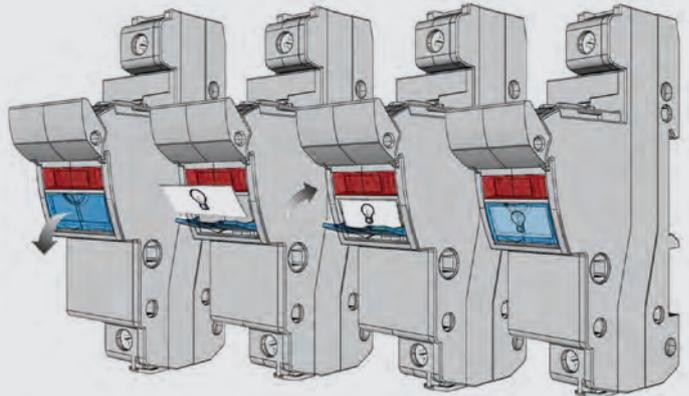
NEW

TECHNICAL

## PMX MODULAR FUSE HOLDERS IDENTIFICATION BY LABEL

8x32  
10x38  
CC<sup>CLASS</sup>  
14x51  
22x58

Open the **label-holder part** when the fuse holder is totally closed or totally open, put on the label and close.



NEW

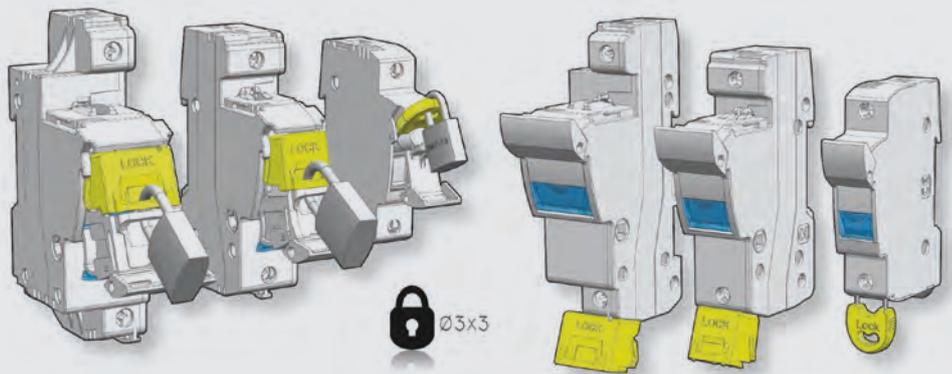
TECHNICAL

## PMX MODULAR FUSE HOLDERS PADLOCK ACCESSORY

8x32  
10x38  
CC<sup>CLASS</sup>  
14x51  
22x58

To avoid the operation and connection when the fuseholder is open, introduce the padlock accessory into the symmetrical holes.

All accessories allow using three padlocks at the same time and have a repose mode.



NEW

# CYLINDRICAL FUSE HOLDERS

TECHNICAL

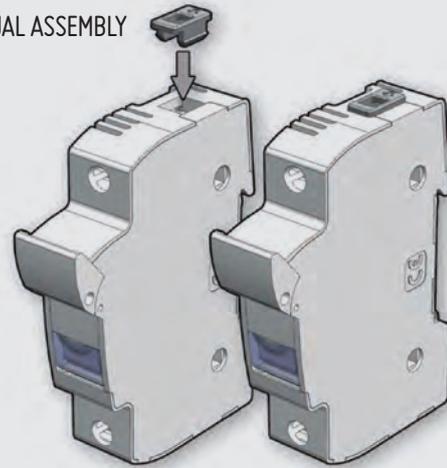
## PMX MODULAR FUSE HOLDERS SPECIAL IP20 PROTECTION

**8x32**  
**10x38**  
**CC<sup>CLASS</sup>**  
**14x51**  
**22x58**

The accessory must be positioned in the wire entries, if it's necessary to achieve the IP20 degree of protection with thin wires.

SIZE	SECTION FLEXIBLE WIRE (mm <sup>2</sup> )	SECTION SOLID WIRE (mm <sup>2</sup> )	LENGTH (mm)
<b>8x32</b>	≤6	≤10	10
<b>10x38</b>	≤6	≤10	10
<b>14x51</b>	≤10	≤16	14
<b>22x58</b>	≤16	≤25	18

MANUAL ASSEMBLY



NEW

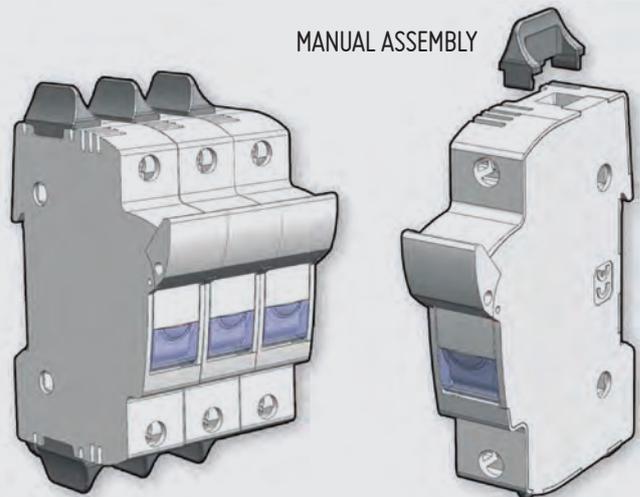
TECHNICAL

## PMX MODULAR FUSE HOLDERS PHASE SEPARATORS ACCESSORY

**8x32**  
**10x38**  
**CC<sup>CLASS</sup>**

The accessory increases the distance between phases in multipolar assemblies.

MANUAL ASSEMBLY



NEW

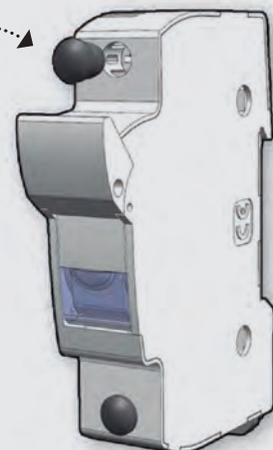
TECHNICAL

## PMX MODULAR FUSE HOLDERS SCREW PROTECTION ACCESSORY

**8x32**  
**10x38**  
**CC<sup>CLASS</sup>**  
**14x51**

Protection accessory to avoid the screws manipulation and improve the protection degree.

MANUAL ASSEMBLY



NEW

# CYLINDRICAL FUSE HOLDERS

TECHNICAL

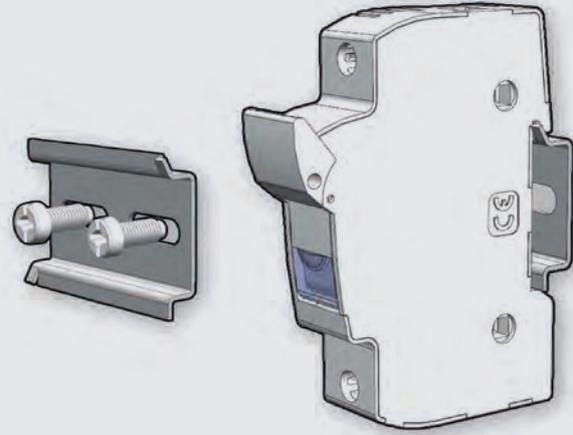
## PMX MODULAR FUSE HOLDERS SCREW FIXATION ACCESSORY

8x32  
10x38

First mount the accessory with screws, then mount the fuseholder (there are available different accessories depending the number of the fuseholder).

REFERENCE DESCRIPTION

485650	25MM SCREW FIXATION ACCESSORY
485651	50MM SCREW FIXATION ACCESSORY
485652	75MM SCREW FIXATION ACCESSORY
485653	100MM SCREW FIXATION ACCESSORY
485654	125MM SCREW FIXATION ACCESSORY
485655	175MM SCREW FIXATION ACCESSORY



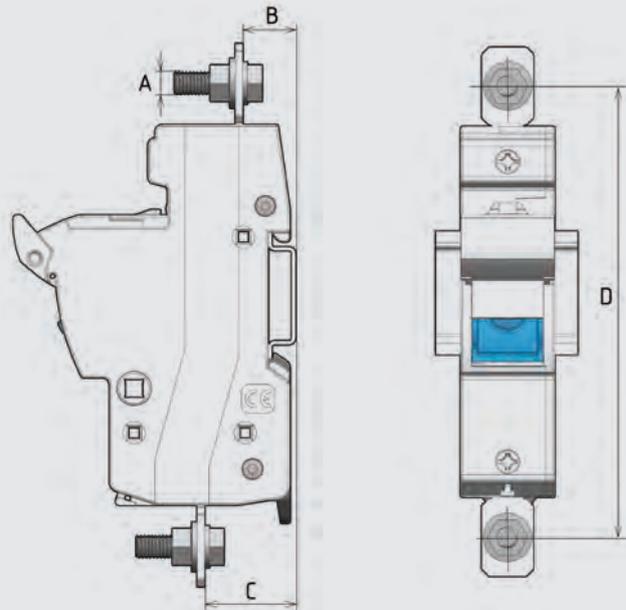
NEW

TECHNICAL

## PMX MODULAR FUSE HOLDERS SPECIAL ACCESSORY FOR SCREW CONNECTION

14x51  
22x58

SIZE	REFERENCE	A	B (mm)	C (mm)	D (mm)
14x51	485271	M6	14,5	25	128,5
22x58	485367	M8	15	23,5	154,5

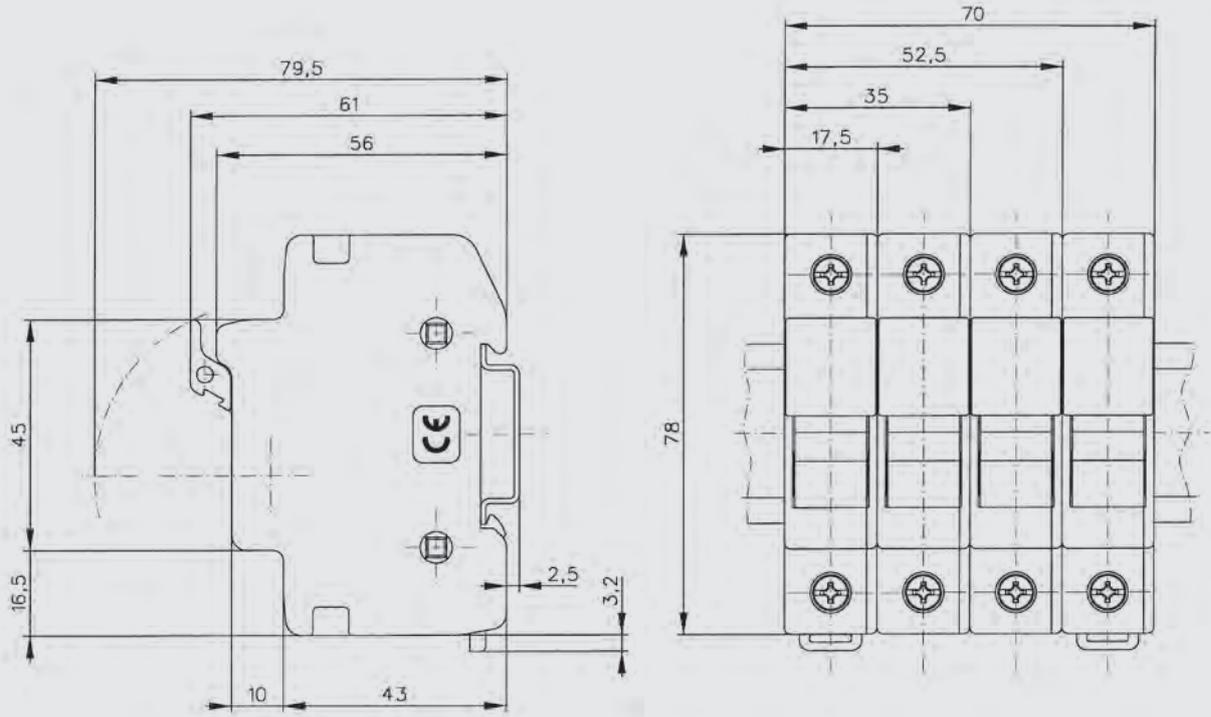


NEW

# CYLINDRICAL FUSE HOLDERS

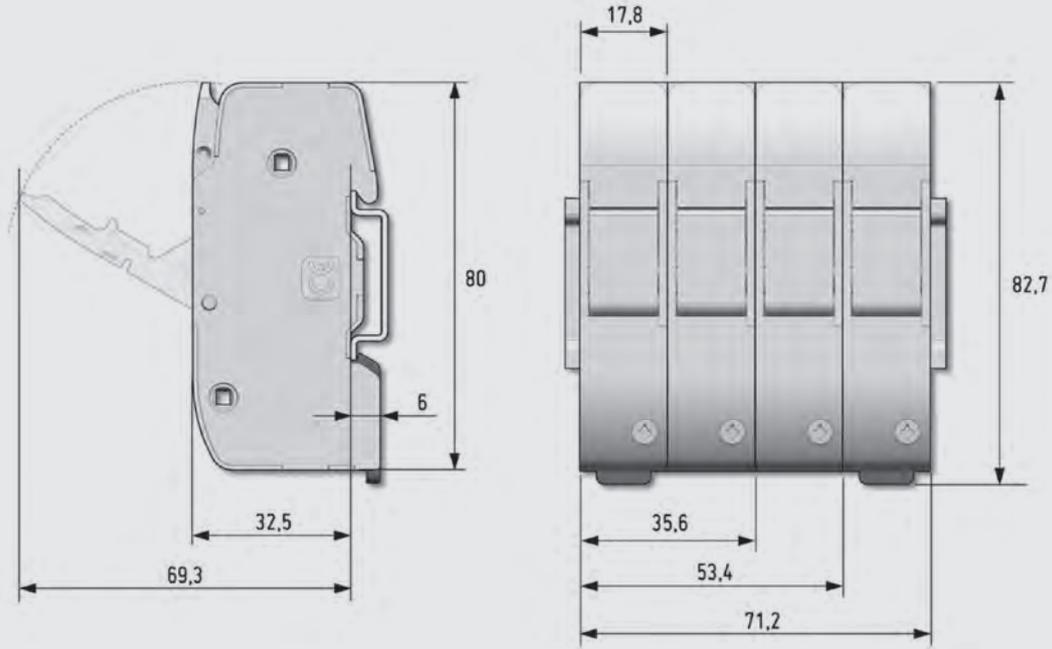
TECHNICAL  
**PMF** MODULAR FUSE HOLDERS  
DIMENSIONS

**PMCC**

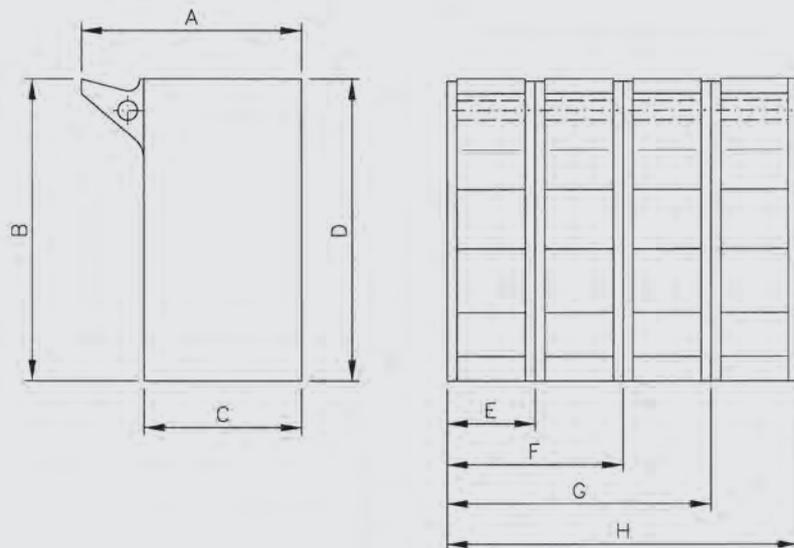


# CYLINDRICAL FUSE HOLDERS

TECHNICAL  
**PMC** COMPACT FUSE HOLDERS  
 DIMENSIONS



TECHNICAL  
**SC** SCREW FIXING FUSE HOLDERS  
 DIMENSIONS

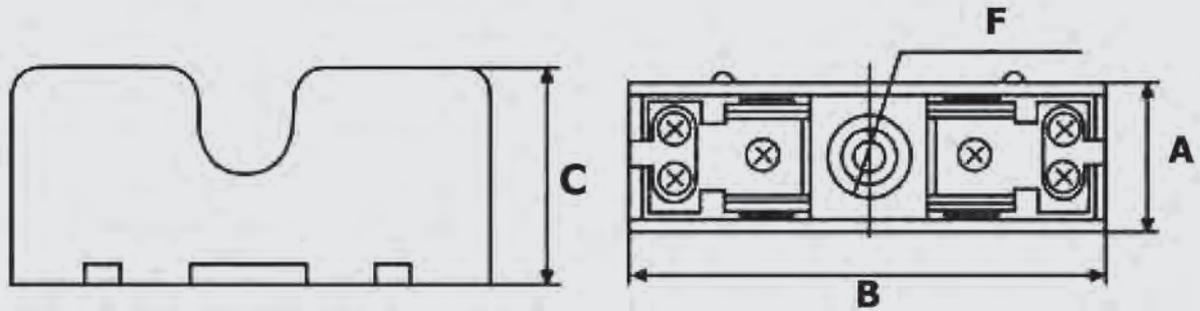


SIZE	A	B	C	D	E	F	G	H
<b>8,5x32</b>	45	61	32	61	18	36	54	72
<b>10x38</b>	50	78	34	75	21	42	63	84
<b>14x51</b>	58	98	42	95	30	60	90	120
<b>22x58</b>	71	108	56	108	36	72	108	144

# CYLINDRICAL FUSE HOLDERS

TECHNICAL  
**BAC** OPEN FUSE HOLDERS  
DIMENSIONS

NEW

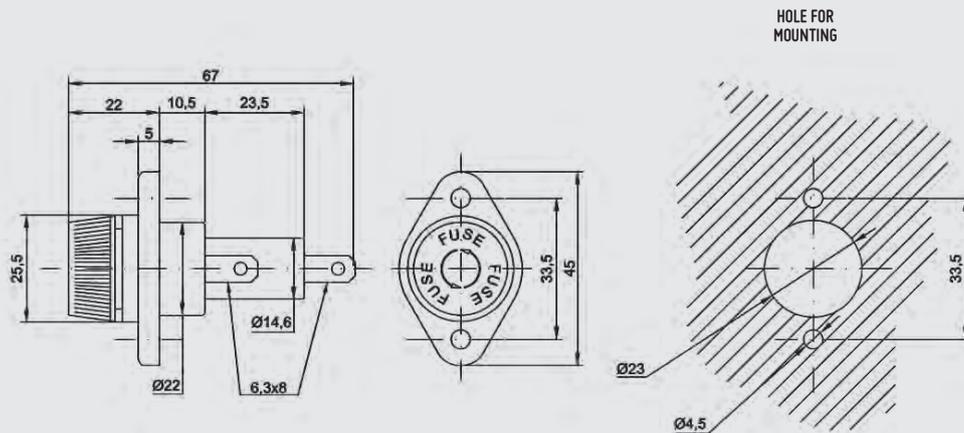


SIZE	A	B	C	ØF
10x38	24	81	35	4
14x51	30	91	37	5
22x58	37	108	48	6

TECHNICAL  
**PMP** PANEL MOUNTING FUSE HOLDERS  
DIMENSIONS

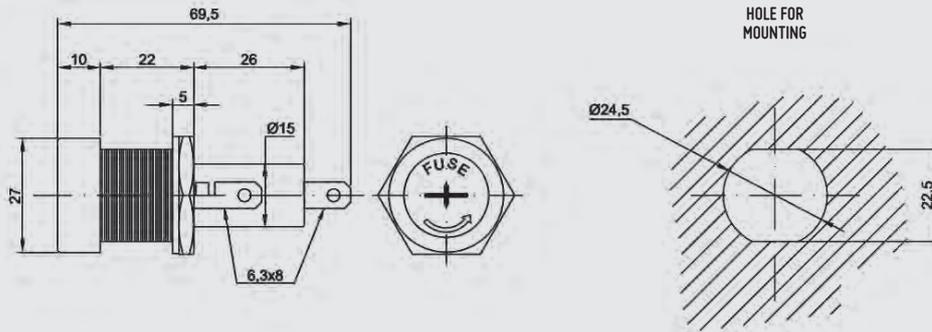
NEW

BAYONET



TECHNICAL  
**PMP** PANEL MOUNTING FUSE HOLDERS  
DIMENSIONS

SCREW

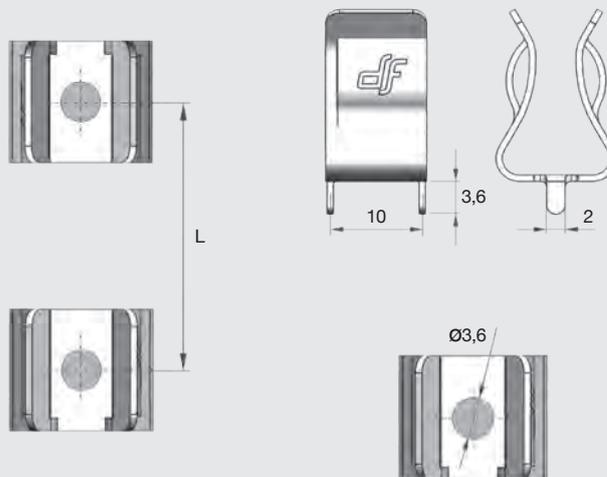


TECHNICAL  
**CLIP CONTACT FOR  $\varnothing 10$  FUSE-LINKS**  
DIMENSIONS

10x38  
10x85



INSTALLATION INSTRUCTIONS



$\varnothing 10$  CLIP CONTACT FOR PCB

SIZE	L
10x38	42
10x85	89,6

$\varnothing 10$  CLIP CONTACT SCREW

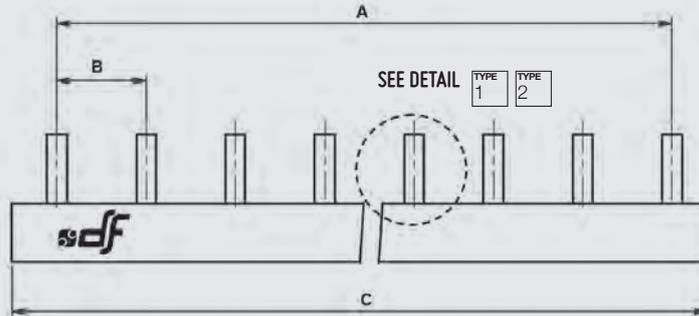
SIZE	L
10x38	32
10x85	79,6

# CYLINDRICAL FUSE HOLDERS

TECHNICAL  
PMF  
PMX  
PMC  
PMCC

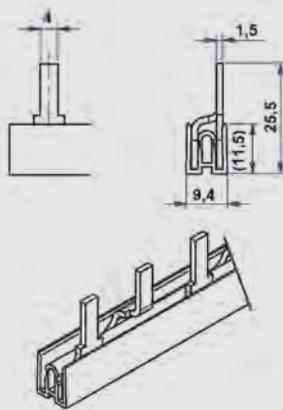
## PHASE BUSBARS DIMENSIONS

NEW

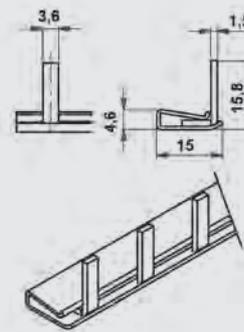


REFERENCE	MODULES	A	B	C	TYPE	END COVER
485600	13	213,6	17,8	229,8 <sup>+2</sup>	2	485605
485601	57	996,8	17,8	1012 <sup>+2</sup>	2	485605
485602	12	195,8	17,8	212 <sup>+2</sup>	1	-

TYPE  
1



TYPE  
2

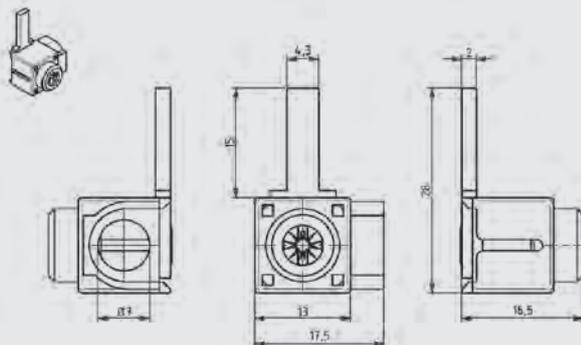


TECHNICAL  
PMF  
PMX  
PMC  
PMCC

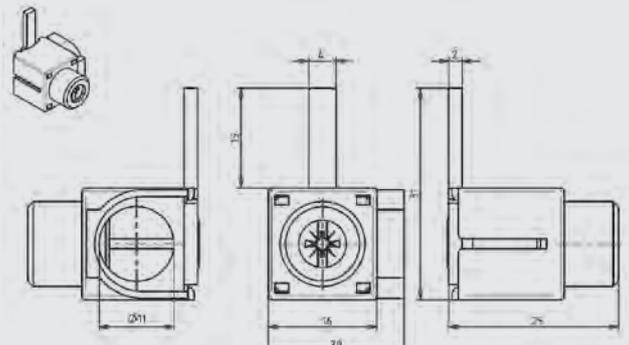
## ACCESSORIES FOR PHASE BUSBARS DIMENSIONS

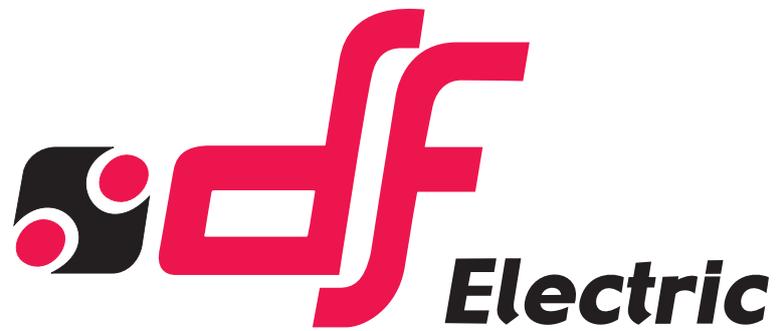
NEW

485603



485604





**ELECTRONIC**



**CYLINDRICAL**



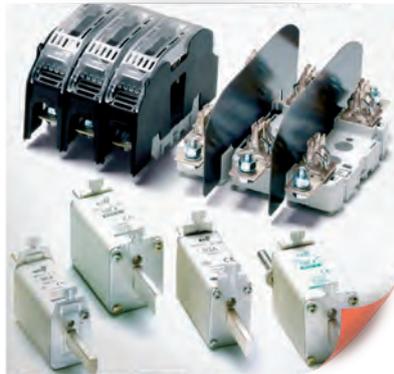
**PHOTOVOLTAIC**



**RAPIDPLUS**



**NH**



**SPECIAL FUSES**



**DOMESTIC**



**D & DO**



**TRANSFORMERS**



eXperts in  
**PROTECTION**



#### HEAD OFFICE & FACTORY

SILICI, 67-69  
08940 CORNELLA DE LLOBREGAT  
BARCELONA  
SPAIN  
Tel. +34 93 377 85 85  
Fax +34 93 377 82 82

#### EXPORT SALES

Tel. +34 93 475 08 64  
Fax +34 93 480 07 75  
export@df-sa.es

#### NATIONAL SALES

Tel. 93 475 08 64  
Fax 93 480 07 76  
comercial@df-sa.es

[www.df-sa.es/cylindrical](http://www.df-sa.es/cylindrical)